

# TECHNICAL SHEET EUROPEAN GUTTERS



## DESCRIPTION

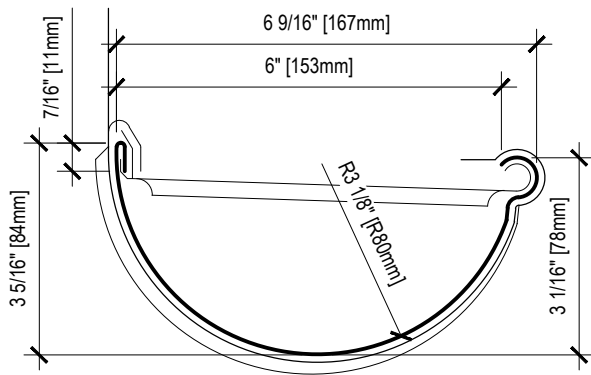
The European metal gutter is molded and manufactured on site (at the construction site) in one piece to ensure there is no joint between sections. The European gutter can fit all types of roofs and structures. Decorative hooks give a unique aesthetic appearance to the gutter. The round shape of the gutter helps with quick evacuation of rainwater; more than twice as fast as a flat-bottomed gutter, reducing the risk of blockage and overflow.



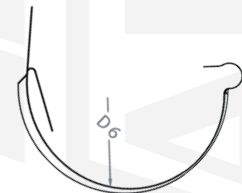
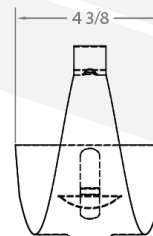
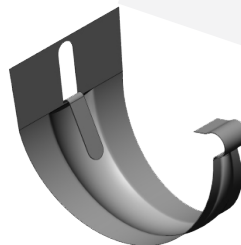
**COPPER**



**PREPAINTED STEEL**



**DECORATIVE HOOK**



# TECHNICAL SHEET

## EUROPEAN GUTTERS



### APPLICATION

Recommended for all types of buildings, this gutter is installed with round wavy downspouts with a diameter of 102 mm (4 in).

The European gutter is assembled on site and fixed with decorative hangers and hooks.

Hangers and hooks are installed according to the spacings recommended by Vaillancourt.

The ends of the basic model are closed with straight closures, standard model. Factory stapled and molded RADIUS round (quarter-sphere) closures are optional.

The metal hangers are inserted inside the gutter and the decorative hooks are installed under the gutter (facing the hangers), then folded inside and fixed through the hanger during installation.

With this type of hangers, the European gutter can be fixed to any type of roof edge.

### MATERIALS

- ◆ galvanized, Galvalume® or prepainted steel 24 or 26 gauge
- ◆ copper, 16 to 20 oz. (no soldering recommended)
- ◆ decorative hook and metal end made from the same material as the gutter
- ◆ Tremco Dynamic® sealant or equivalent recommended
- ◆ 16 gauge galvanized steel hangers or bronze hangers for copper gutter
- ◆ screw: self-tapping stainless steel with neoprene insert, 14 gauge with solid thread (without shank)

### COLOR

**Standard color:** Pre-painted gutters are offered in standard colors from the Perspectra Plus® charts (Arcelor Mittal Dofasco) or in the CoolR series colors available on the market.

**Special color:** Please check availability with our Vaillancourt sales team.

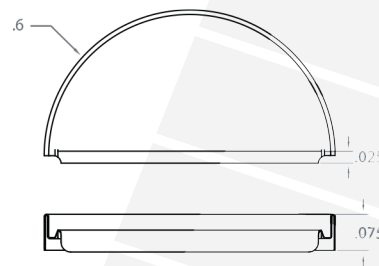
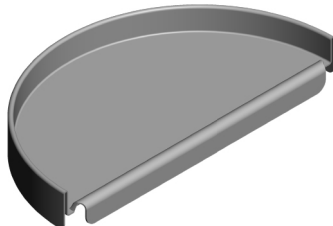
### GUARANTEE

Installation: 10 years (when installed accordingly to Vaillancourt recommendations)

Materials: 25 years.

### GUTTER END

**Standard: Straight**



**Option: Radius (rounded)**

