

# TECHNICAL SHEET

## AVALANCHE SNOW GUARD



### DESCRIPTION

Avalanche Vaillancourt **stainless steel** snow guards are made up of folded plates in fin-like shapes disposed at equal spacings varying from 400 to 600 mm, depending on the roof configuration. The horizontal part of the folded plates is fixed with a sealant and then fixed to the metal roof structure using appropriate screws. It is important that the sealant completely covers the underside of the plate. Depending on the model, the plates have five or six fixing points. The tubes are inserted into the openings made for this purpose and hangers are fixed punctually in the tubes to hold them into place while allowing thermal expansion of the tubes.



3 tubes model

### APPLICATION

Avalanche Vaillancourt **stainless steel** snow guards are made up of folded plates in fins shape disposed at equal spacing varying from 400 to 600 mm, depending on the roof configuration. The horizontal part of the folded plates is fixed with a sealant and then fixed to the roof structure through the metal using suitable screws. It is important that the sealant completely covers the underside of the plate. Depending on the model, the plates have five or six fixing points. The tubes are inserted into the openings made for this purpose and hangers are fixed punctually in the tubes to hold them into places while allowing thermal expansion of the tubes.

### MATERIALS

Avalanche snow guards are made of **stainless steel** (grade 304-2B) parts. The fins are made from a 2.6mm thick folded plate and have either one, two or three openings depending on the number of tubes required. The 3m (10') long tubes are designed to fit together into a unique final piece.

Fixing system : 10 gauge self-tapping stainless steel screw with solid thread (without shank).

Sealant : NP1 from Sonneborn, Dynomic from Tremco or equivalent with polyurethane base.

### COLOR

Basic : Semi-gloss stainless steel finish (304-2B)

Choice of : all colors are available, because the guards can be painted in the factory, with a baked enamel paint of the desired color to harmonize the whole roofing system.

### GUARANTEE

Installation : 10 years

Materials : 20 years

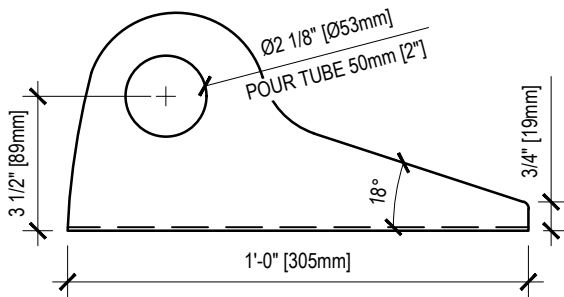
Painting : 10 or 20 years (depending on the type of paint chosen)

# TECHNICAL SHEET

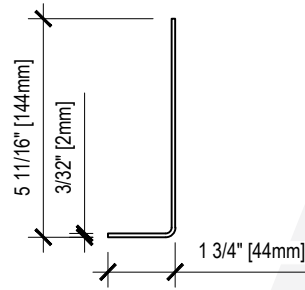
## AVALANCHE SNOW GUARD



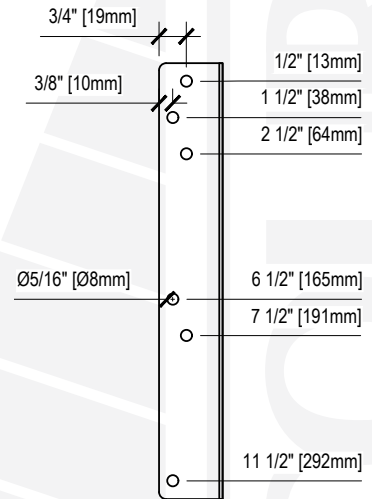
### SNOW GUARD: 1 TUBE



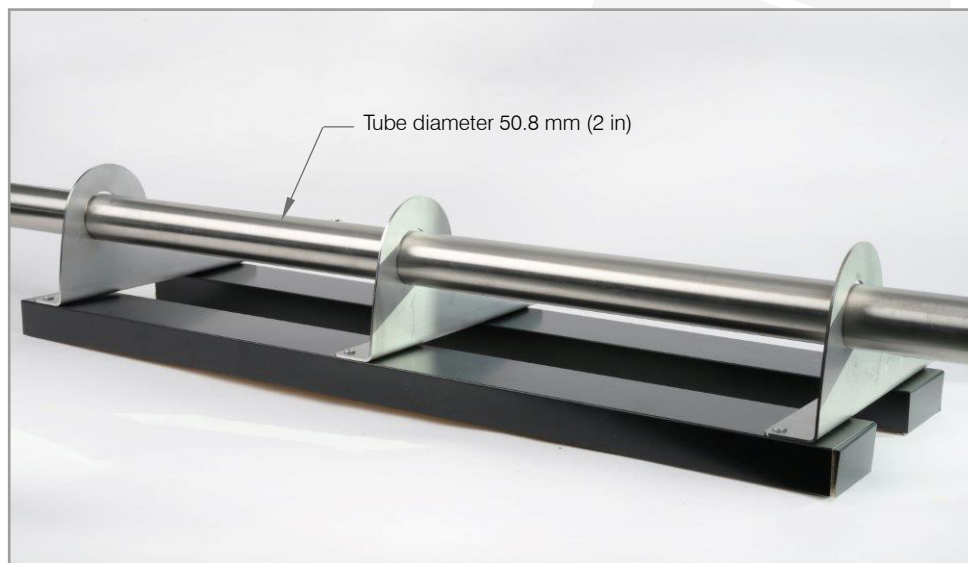
Side view  
Folded plate (fin)



Front view



Top view

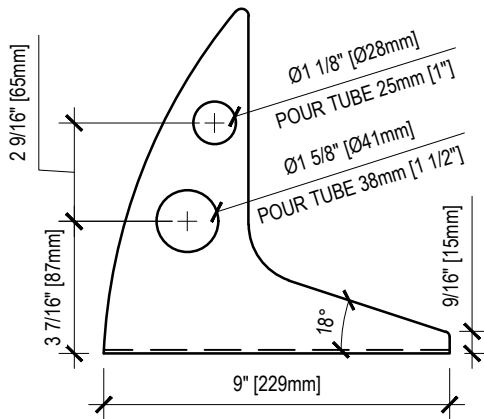


# TECHNICAL SHEET

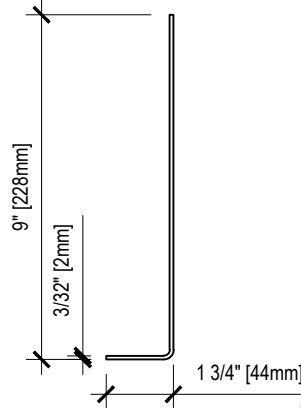
## AVALANCHE SNOW GUARD



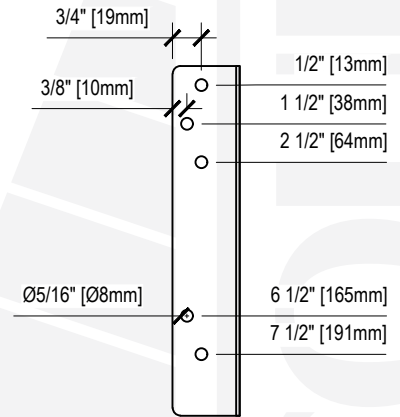
### SNOW GUARD: 2 TUBES



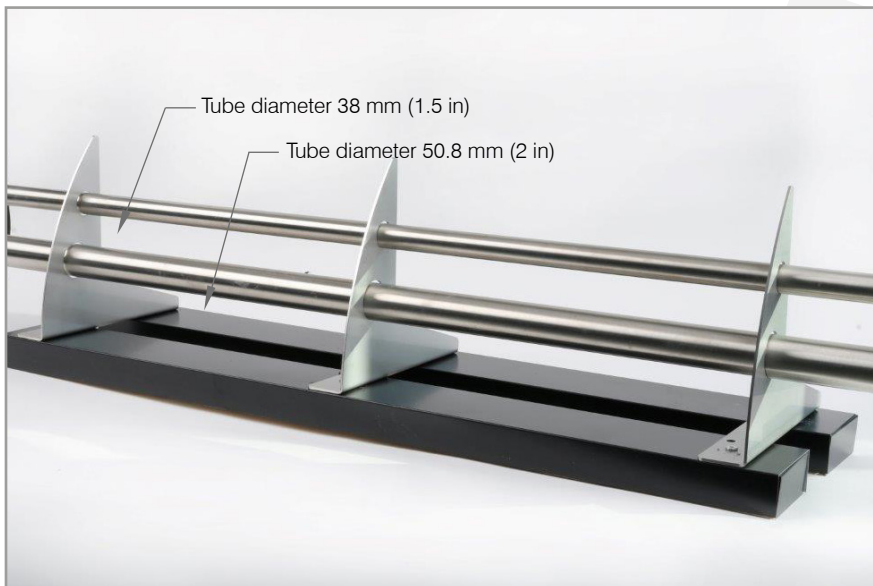
Side view  
Folded plate (fin)



Front view



Top view

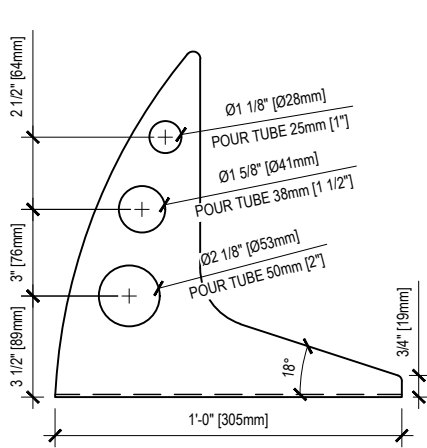


# TECHNICAL SHEET

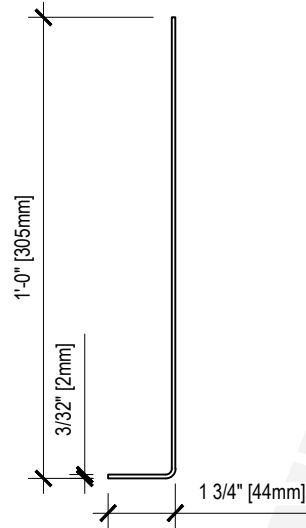
## AVALANCHE SNOW GUARD



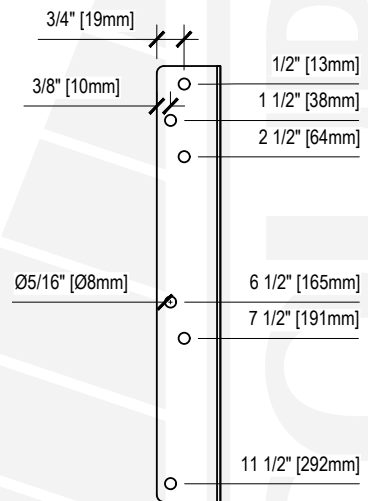
### SNOW GUARD: 3 TUBES



Side view  
Folded plate (fin)



Front view



Top view

