

# TECHNICAL SHEET

## RIGID ROUND DOWNSPOUT



### DESCRIPTION

Rigid steel round downspout is installed reinforced the base of the standard round downspout in order to provide a rigid shock-absorbing drainage system. This rigid downspout replaces the lower section of the standard downspout and was built specifically for areas where the risk of impact or vandalism is higher. The rigid and ultra-resistant material used for this downspout is ideal for public places at high risk of collisions such as commercial, industrial and institutional buildings.

### MANUFACTURING

Rigid downspouts are made from 1/8 " (3mm) thick galvanized steel. All parts, the four (4) hangers and the directional spout are assembled and welded at the factory. Once the assembly is complete, everything is hot-dip galvanized.

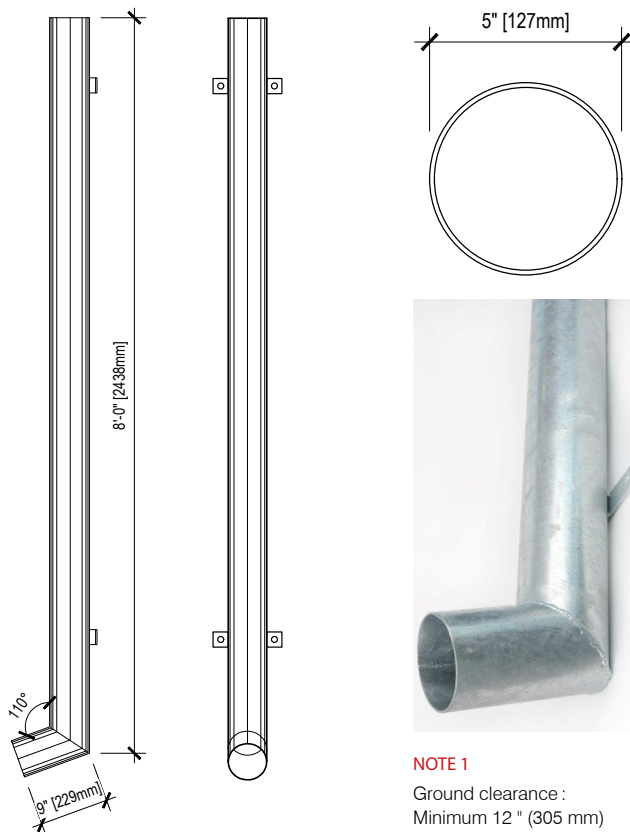
### FINISHING

After the galvanizing step, the downspout is coated with a primer for galvanized steel and covered with two coats of baked enamel paint.

### DIMENSION

Round tubular: diameter 127 mm (5 in)

Standard length: 2440 mm (8'-0 in) other dimensions available on request



**NOTE 1**  
Ground clearance :  
Minimum 12 " (305 mm)  
16 " (410 mm) is recommended

